

Final Lab Project Trade Show

ISE 232L: Manufacturing Processes
Fall 2008

What: A final lab project trade show is organized to give the students an opportunity to explain their ideas and to give a demo of their functional prototypes.

When: Friday (Dec. 5th 2008), 1:15~1:50pm.

Where: SGM-601

You are cordially invited to see the students' hard work for the whole semester! Ten Innovative Products that will be on display are:

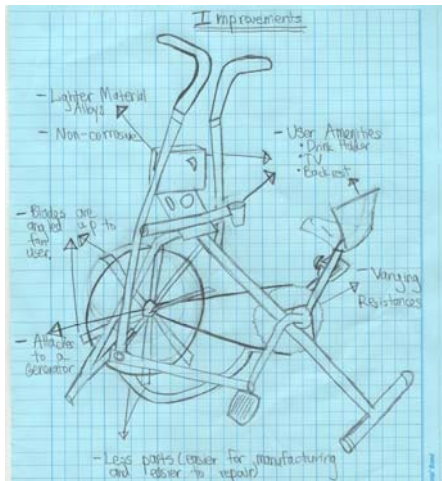
- 1. Exercise Bike** *by: Michelle Kim, Peter Madden, Brad Head, Steven Yurkas, Gretchen Esau*
- 2. Heated Coffee Sleeve** *by: Lindsey Lopez, Courtney Ankrim, Caroline McMurray, Sema Kirkewoog, Kathleen Ward*
- 3. Automatic Light System** *by: Geoffrey Press, Zain Rehman, Sarah Miller, Denise Nichols, Roberto Montero*
- 4. The Desk-Chair of Comfort** *by: Jonathan Yu, Kari Wong, Shefali Gupta, Alice Wong, Garrett Velasquez*
- 5. Improved Underarm Crutches** *by: Jennifer Dowling, Tom Brightbill, Brittany Henry, James Meiners, Tianqi Gao*
- 6. X-Hale Nose Plug** *by: Eric Lee, Jeff Lewis, Dillon Connolly, Blake Smith, Kareem Khulusi*
- 7. Work Cycle** *by: Siddharth Betala, Ryan Chen, Sanchit Khurana, Brandon Purificacion, Amine Tayara*
- 8. Bicycle Powered Mobile Cell Phone Charger** *by: Brittany Martello, Michelle Romo, Laura Rea, Jason Cuellar*
- 9. Portable Foot Massager** *by: Niren Gupta, Guillaume Chenneveau, Nusret Erturk, Brian Lee*
- 10. The X-Scape Board** *by: Alex Tao, Melissa Estep, Amirreza Mir Mohammad Sadeghi, Brian Philips, Omari Crittenden*

A brief description of each product is attached for your information.

Team 1: Exercise Bike

By: Michelle Kim, Peter Madden, Brad Head, Steven Yurkas, Gretchen Esau

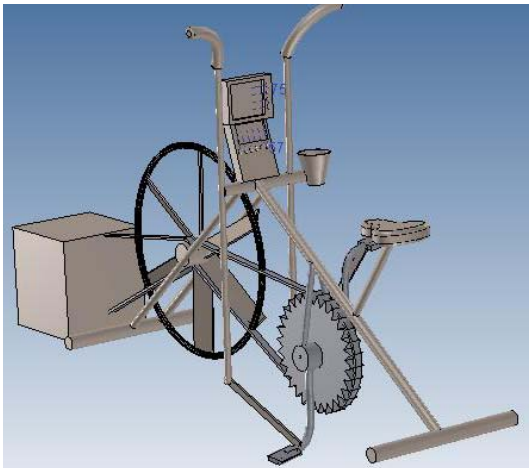
Goal: Find a way to harness the human muscle energy – develop an all-inclusive exercise bike where a TV, fan, drink cooler, and the bike itself are all self-powered.



(1) Idea Sketch



(2) Existing Similar Product Disassembly



(3) CAD Model Design

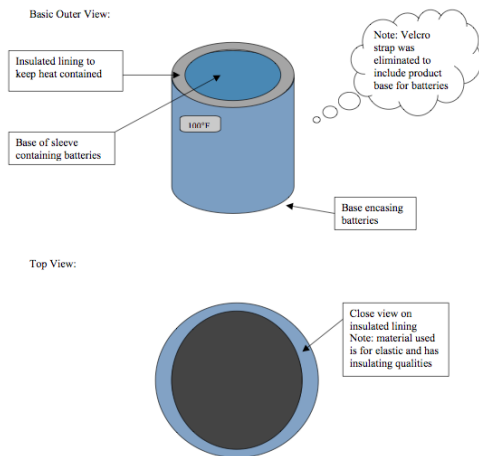


(4) Built functional Prototype

Team 2: Heated Coffee Sleeve

By: Lindsey Lopez, Courtney Ankrim, Caroline McMurray, Sema Kirkewoog, Kathleen Ward

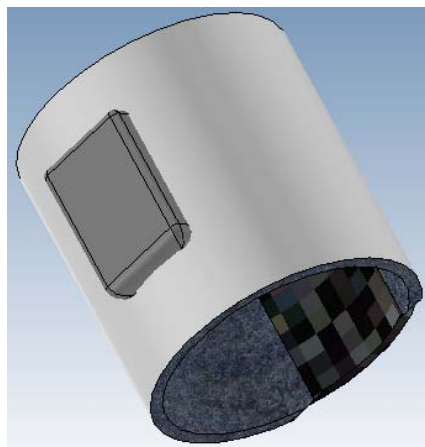
Goal: No cold coffee any more for students – develop an insulated sleeve that is battery powered to replace the paper coffee sleeve.



(1) Idea Sketch



(2) Existing Similar Product Disassembly



(3) CAD Model Design

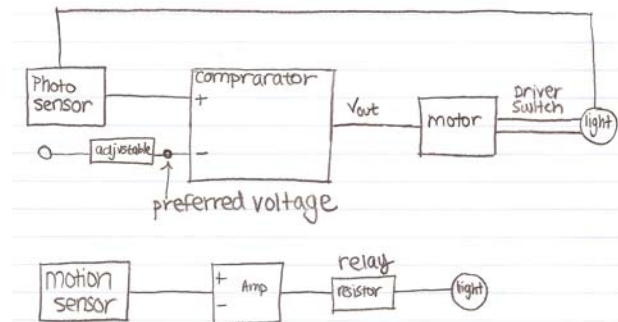


(4) Built functional Prototype

Team 3: Automatic Light System

By: Geoffrey Press, Zain Rehman, Sarah Miller, Denise Nichols, Roberto Montero

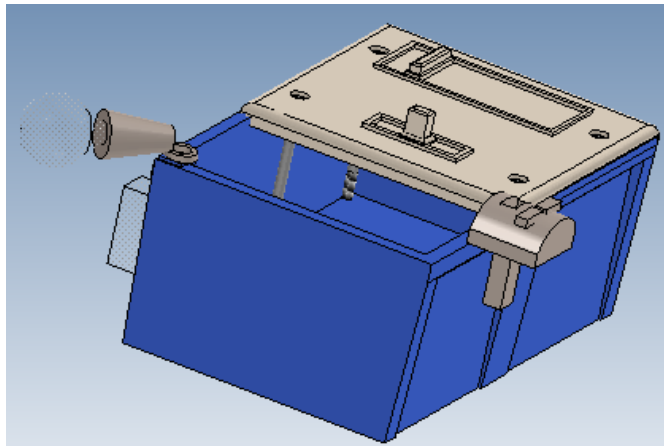
Goal: Conserve as much energy as possible – develop a light control system which turns a light off if no one is present or turns a light off if there is enough natural light in the room.



(1) Idea Sketch



(2) Existing Similar Product Disassembly



(3) CAD Model Design



(4) Built functional Prototype

Team 4: The Desk-Chair of Comfort

By: Jonathan Yu, Kari Wong, Shefali Gupta, Alice Wong, Garrett Velasquez

Goal: No bad posture in classroom – develop an innovative desk-chair model for students to sit with good posture.



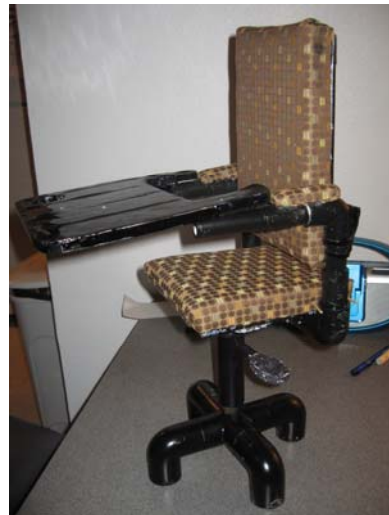
(1) Idea Sketch



(2) Existing Similar Product Disassembly



(3) CAD Model Design



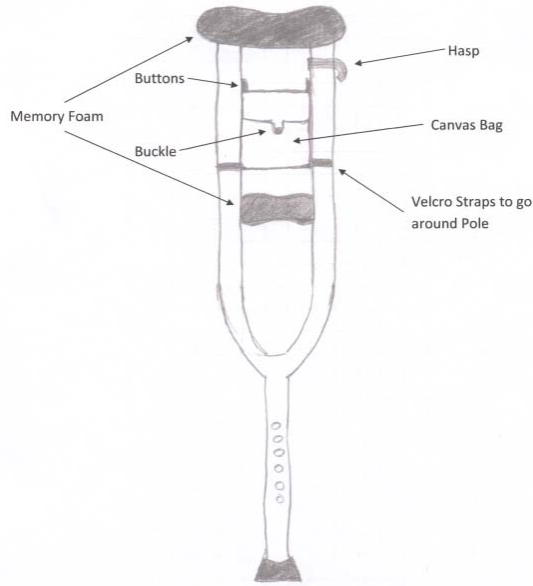
(4) Built functional Prototype



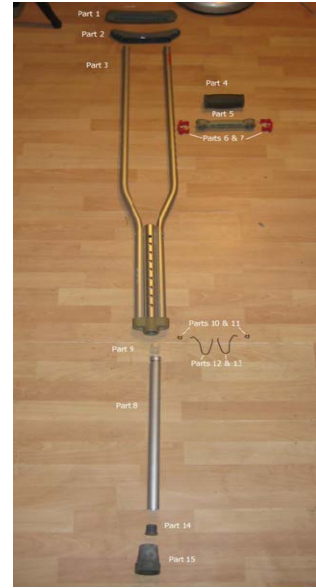
Team 5: Improved Underarm Crutches

By: Jennifer Dowling, Tom Brightbill, Brittany Henry, James Meiners, Tianqi Gao

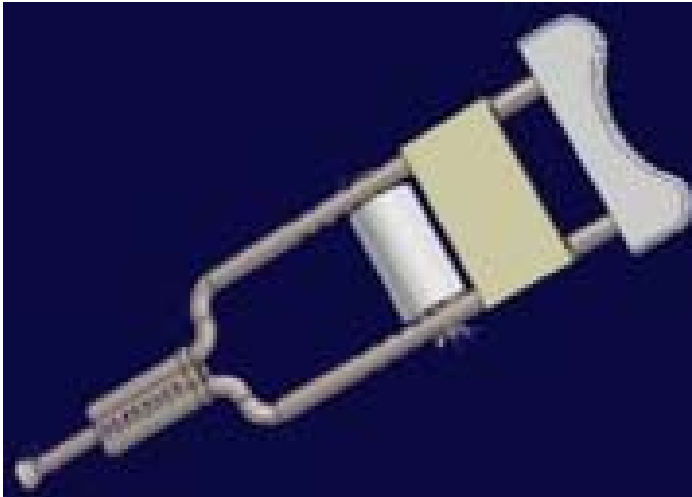
Goal: To make the use of crutches more convenient and comfortable – develop an improved underarm crutches.



(1) Idea Sketch



(2) Existing Similar Product Disassembly



(3) CAD Model Design

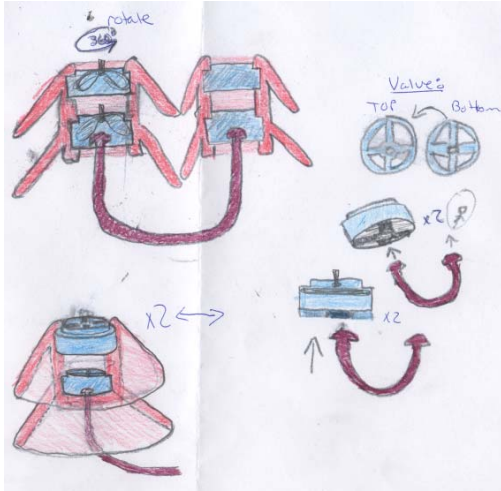


(4) Built functional Prototype

Team 6: X-Hale Nose Plug

By: Eric Lee, Jeff Lewis, Dillon Connolly, Blake Smith, Kareem Khulusi

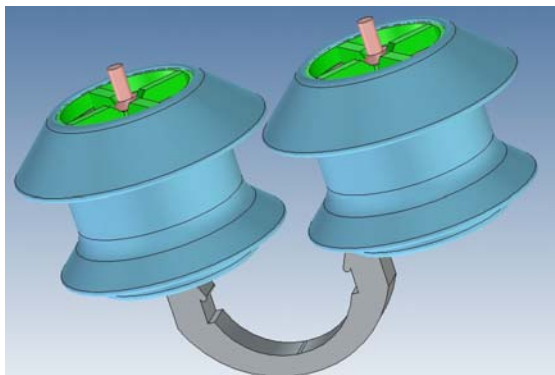
Goal: A secret weapon for competitive swimming - Develop a nose plug that plugs nose underwater but allows breathing on top of the water.



(1) Idea Sketch



(2) Existing Similar Product Disassembly



(3) CAD Model Design



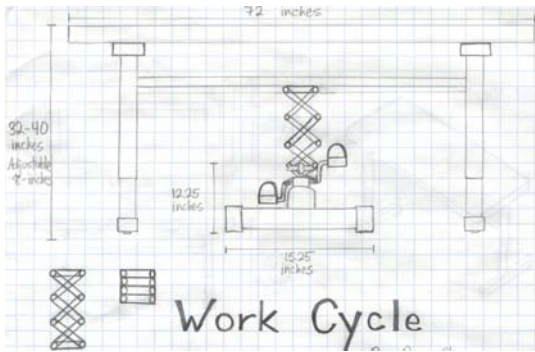
(4) Built functional Prototype



Team 7: Work Cycle

By: Siddharth Betala, Ryan Chen, Sanchit Khurana, Brandon Purificacion, Amine Tayara

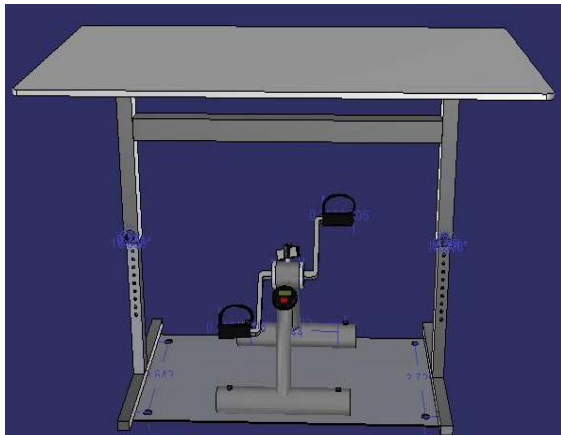
Goal: No excuse for not exercise any more – develop a work cycle for work and exercise simultaneously.



(1) Idea Sketch



(2) Existing Similar Product Disassembly



(3) CAD Model Design

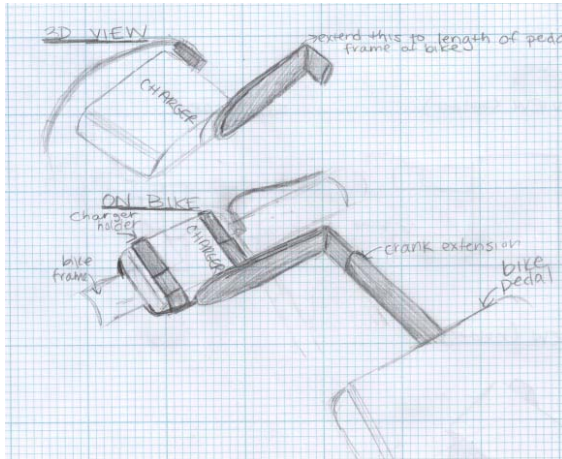


(4) Built functional Prototype

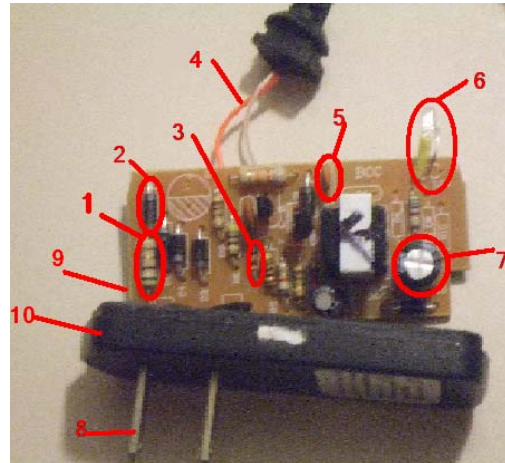
Team 8: Bicycle Powered Mobile Cell Phone Charger

By: Brittany Martello, Michelle Romo, Laura Rea, Jason Cuellar

Goal: Charge cell phone while riding to class – develop a mobile cell phone charger powered by bicycle.



(1) Idea Sketch



(2) Existing Similar Product Disassembly



(3) CAD Model Design



(4) Built functional Prototype

Team 9: Portable Foot Massager

By: Niren Gupta, Guillaume Chenneveau, Nusret Erturk, Brian Lee

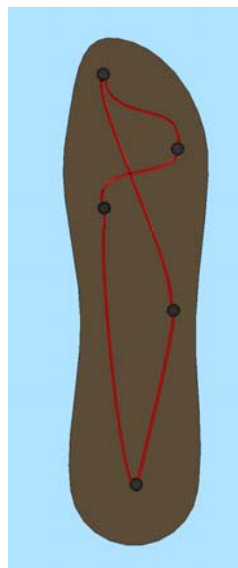
Goal: Develop a portable foot massager that can be taken with you wherever you go.



(1) Idea Sketch



(2) Existing Similar Product Disassembly



(3) CAD Model Design



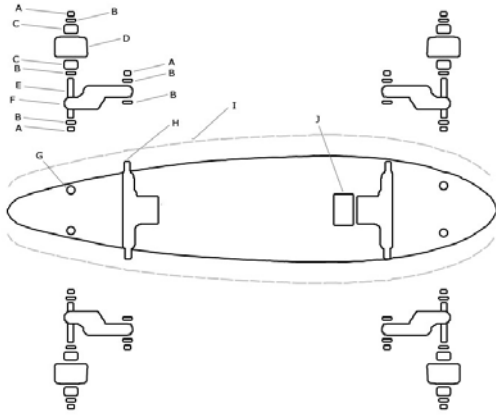
(4) Building a functional Prototype



Team 10: The X-Scape Board

By: Alex Tao, Melissa Estep, Amirreza Mir Mohammad Sadeghi, Brian Philips, Omari Crittenden

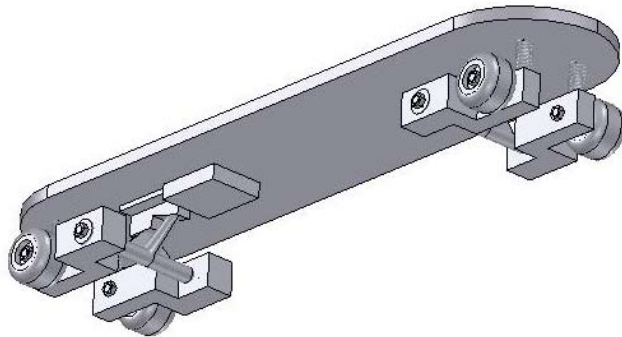
Goal: Better skateboard to commute to class – develop a skateboard with better suspension and night lighting for safety.



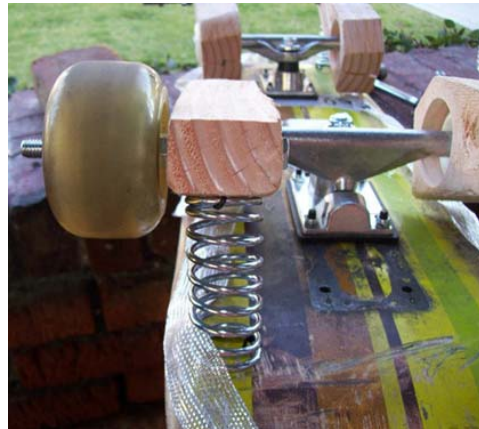
(1) Idea Sketch



(2) Existing Similar Product Disassembly



(3) CAD Model Design



(4) Building a functional Prototype

